

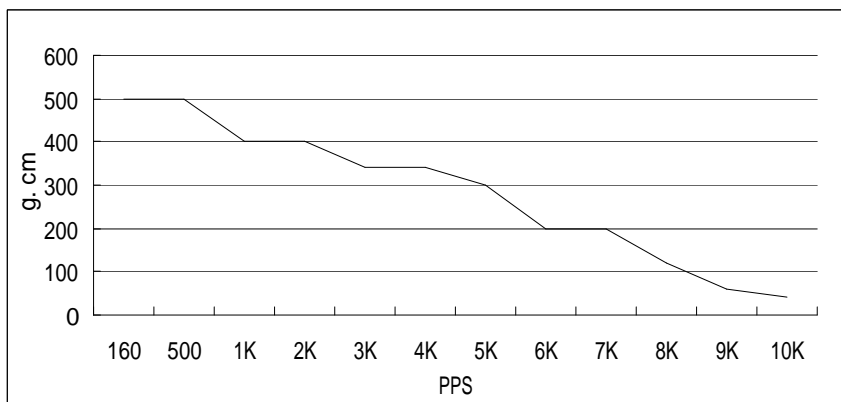
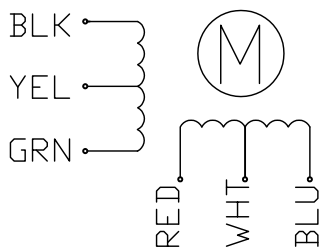
HIGH TORQUE HYBRID STEPPING MOTOR SPECIFICATIONS

General specifications		Electrical specifications	
Step Angle (°)	1.8	Rated Voltage (V)	2.66
Temperature Rise (°C)	80 Max (rated current, 2 phase on)	Rated Current (A)	0.95
Ambient temperature (°C)	-20~+50	Resistance Per Phase(±0%)	2.8 (25°C)
Number of Phase	2	Inductance Per Phase(±20%ml)	1.0
Insulation Resistance (MΩ)	100 Min (500VDC)	Holding Torque (g.cm)	430
Insulation Class	Class B	Detent Torque (Kg.cm)	
Max.radial force (N)	28 (20mm from the flange)	Rotor Inertia (g.cm ²)	9
Max.axial force (N)	10	Weight (Kg)	0.12

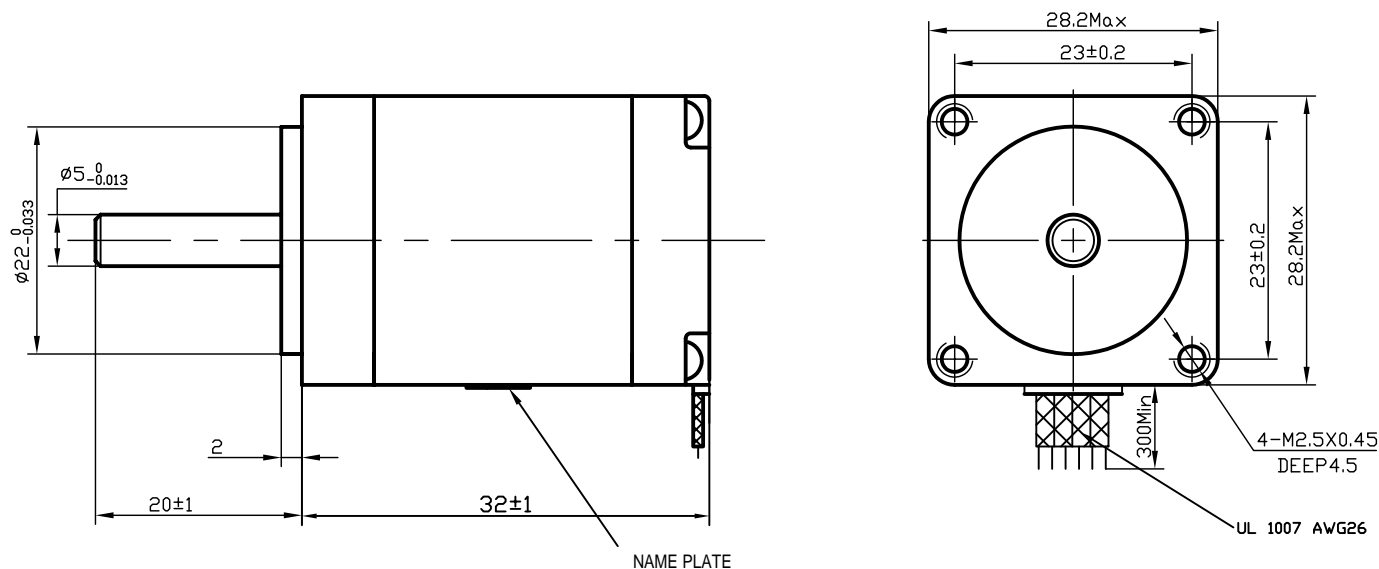
● Pull out torque curve:

VOLTAGE:24VDC, CONSTANT CURRENT:0.95A, HALF STEP

● Wiring Diagram:



● Dimensions: (unit=mm)



△					SY28STH32-0956A	TECHNICAL CONDITIONS
△						
REV	REVISIONS	DESCRIPTION	BY	DATE	CHANGZHOU SONGYANG MACHINERY & ELECTRONICS NEW TECHNIC INSTITUTE	
DRAW	王凯					
CHECK						
APPROVE						