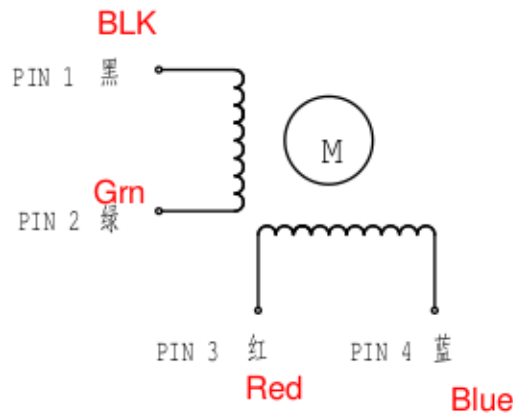


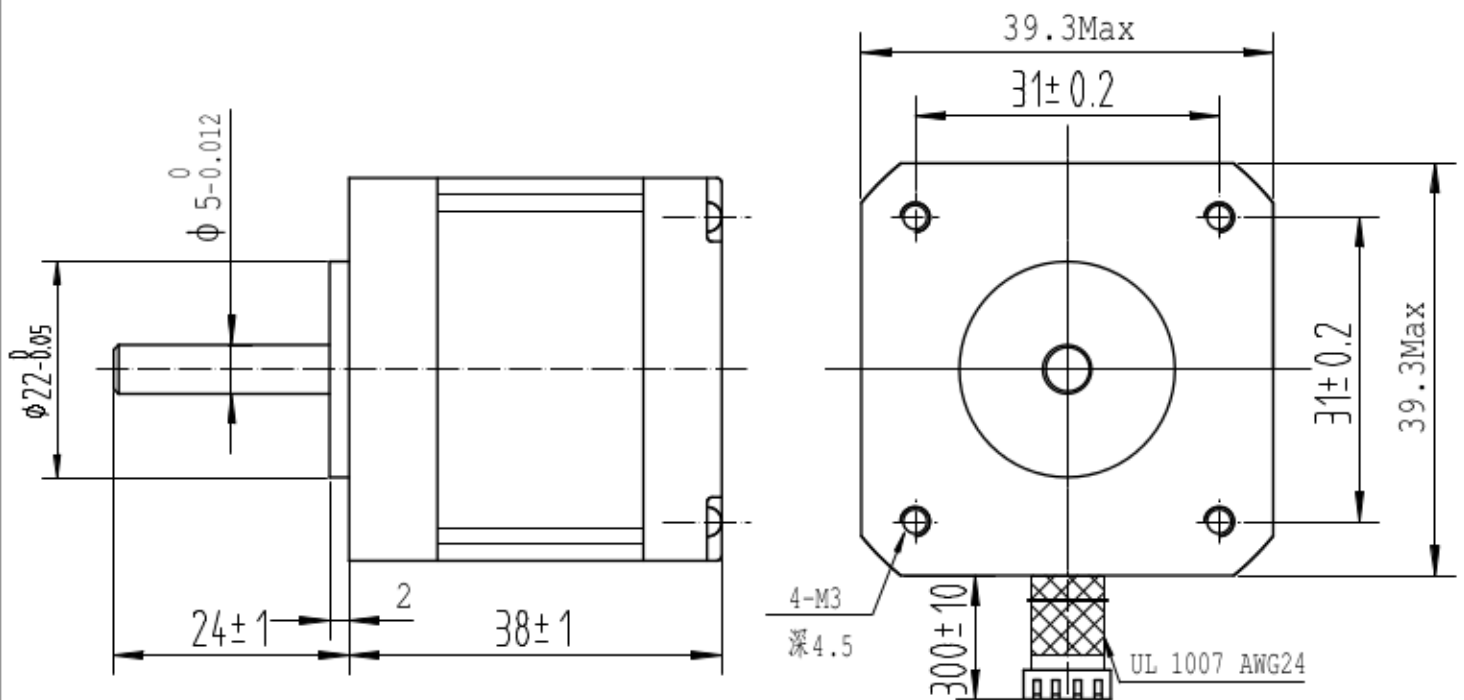
HIGH TORQUE HYBRID STEPPING MOTOR SPECIFICATIONS

General specifications		Electrical specifications	
Step Angle (°)	1.8	Rated Voltage (V)	8.4
Temperature Rise (°C)	80 Max (rated current, 2 phase on)	Rated Current (A)	0.56
Ambient Temperature (°C)	-20 ~ +50	Resistance Per Phase (±10% Ω)	15 (25°C)
Number of Phase	2	Inductance Per Phase (±20% mH)	24
Insulation Resistance (MΩ)	100 Min (500VDC)	Holding Torque (N.cm)	27
Insulation Class	Class B	Weight (Kg)	0.25
Max.radial force (N)	28 (20mm from the flange)		
Max.axial force (N)	10		

● **Wiring Diagram:**



● **Dimension:**
(Unit=mm)



					SY39ST38-0564A	TECHNICAL CONDITIONS
REV	REVISIONS	DESCRIPTION	BY	DATE		
DRAW						
CHECK						
APPROVE						040038009