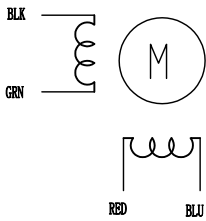


HIGH TORQUE HYBRID STEPPING MOTOR SPECIFICATIONS

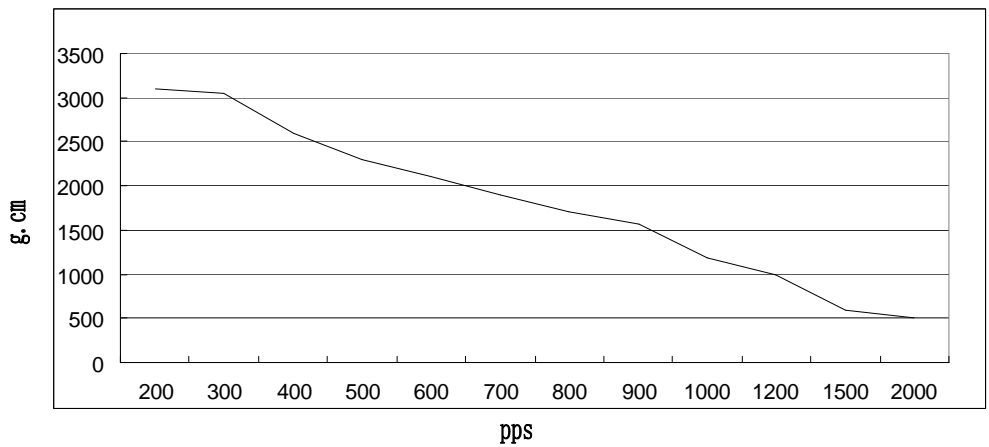
General specifications		Electrical specifications	
Step Angle (°)	1.8	Rated Voltage (V)	12
Temperature Rise (°C)	80 Max (rated current, 2 phase on)	Rated Current (A)	0.3
Ambient Temperature (°C)	-20~+50	Resistance Per Phase (±0%Ω)	42 (25°C)
Number of Phase	2	Inductance Per Phase (±20% mH)	80
Insulation Resistance (MΩ)	100 Min (500VDC)	Holding Torque (g.cm)	3000
Insulation Class	Class B	Detent Torque (g.cm)	250
Max. radial force (N)	28 (20mm from the flange)	Rotor Inertia (g.cm ²)	40
Max. axial force (N)	10	Weight (Kg)	0.3

● **Wiring Diagram:**

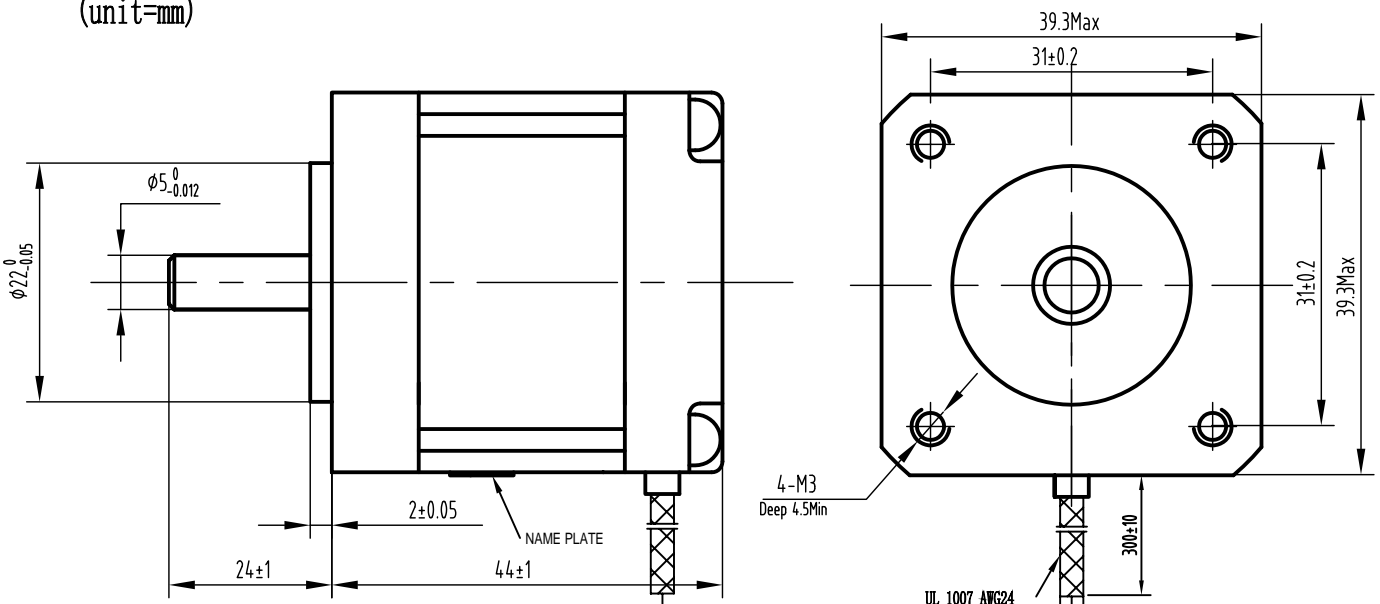


● **Pull out torque curve:**

VOLTAGE: 24VDC, CONSTANT CURRENT: WZM-2H042M 0.3A, HALF STEP



● **Dimensions:**
(unit=mm)



⚠						SY39ST44-0304A	TECHNICAL CONDITIONS
REV	REVISIONS	DESCRIPTION	BY	DATE			
DRAW						CHANGZHOU SONGYANG MACHINERY & ELECTRONICS NEW TECHNIC INSTITUTE	
CHECK							
APPROVE							