

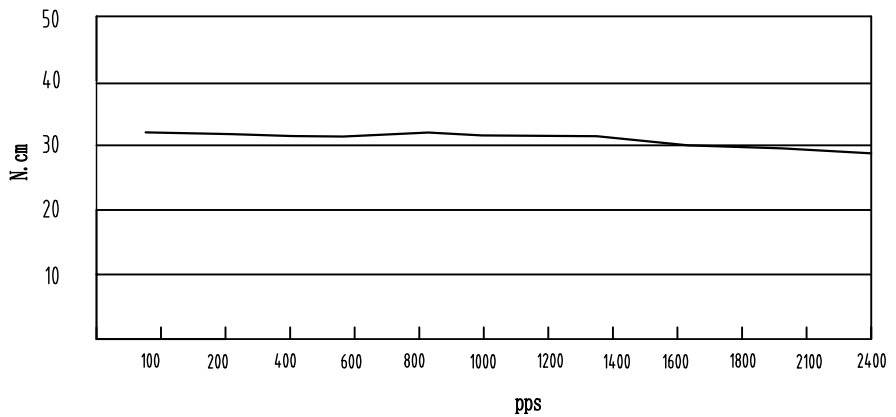
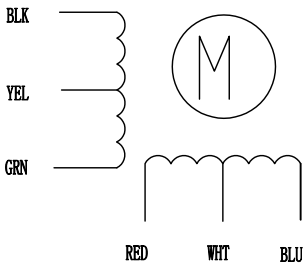
HIGH TORQUE HYBRID STEPPING MOTOR SPECIFICATIONS

General specifications		Electrical specifications	
Step Angle (°)	0.9	Rated Voltage (V)	4
Temperature Rise (°C)	80 Max (rated current, 2 phase on)	Rated Current (A)	1.2
Ambient temperature (°C)	-20~+50	Resistance Per Phase ($\pm 10\%$)	3.3 (25°C)
Number of Phase	2	Inductance Per Phase ($\pm 20\%$)	4
Insulation Resistance	100M Ω Min (500VDC)	Holding Torque (Kg. cm)	3.17
Insulation Class	Class B	Detent Torque (g. cm)	250
Max. radial force (N)	28 (20mm from the flange)	Rotor Inertia (g. cm ²)	68
Max. axial force (N)	10	Weight (Kg)	0.365

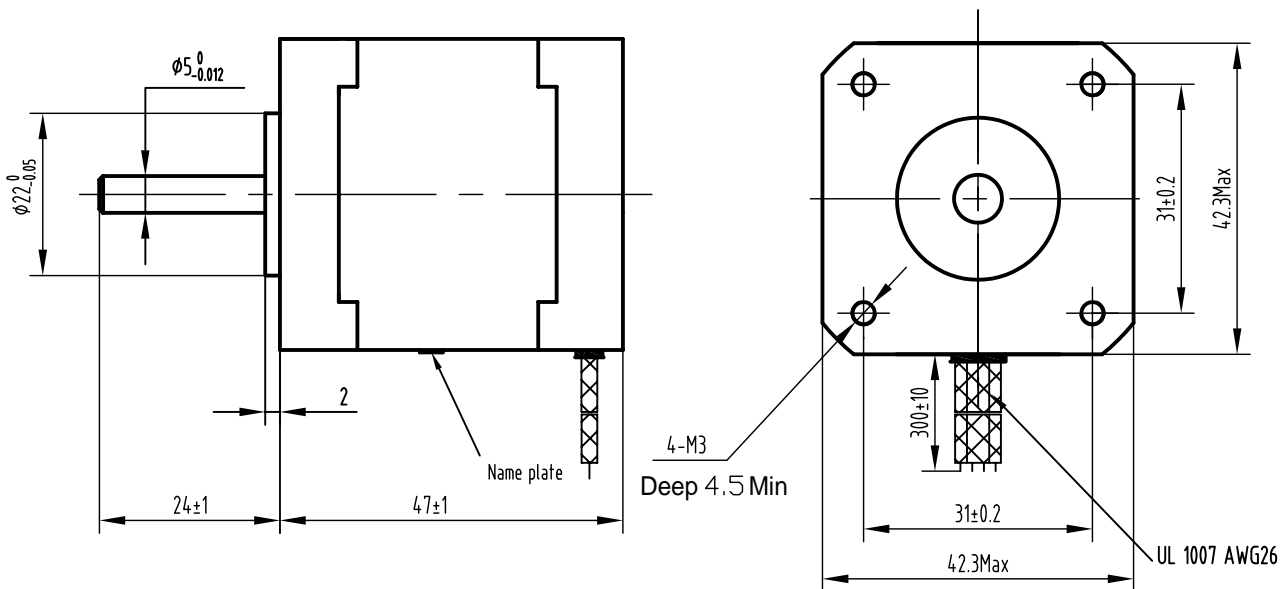
● Pull out torque curve:

VOLTAGE: 24VDC, CONSTANT CURRENT: 1.2A, HALF STEP

● Wiring Diagram:



● Dimensions:
(unit=mm)



△					SY42STH47-1206MA	TECHNICAL CONDITIONS
REV	REVISIONS	DESCRIPTION	BY	DATE		
DRAW					CHANGZHOU SONGYANG MACHINERY & ELECTRONICS NEW TECHNIC INSTITUTE	
CHECK						
APPROVE						