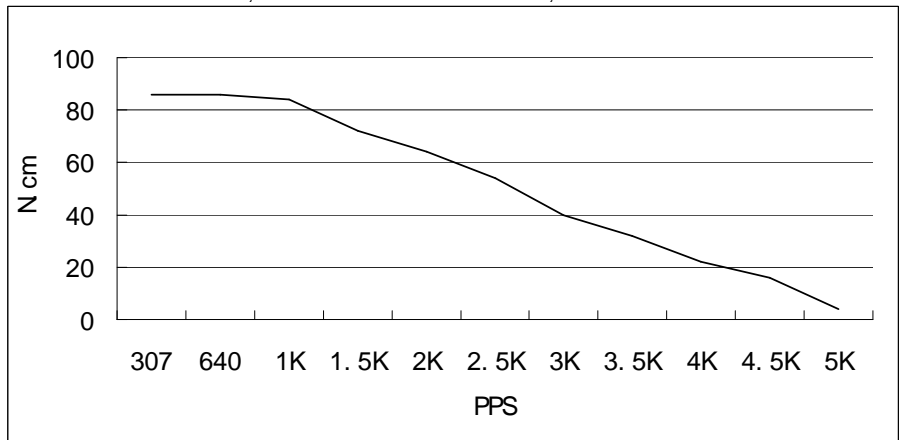


# HIGH TORQUE HYBRID STEPPING MOTOR SPECIFICATIONS

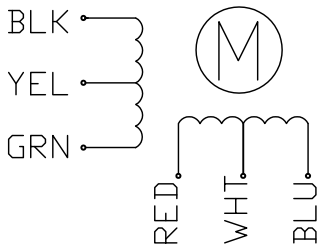
General specifications		Electrical specifications	
Step Angle (°)	1.8	Rated Voltage (V)	3.3
Temperature Rise (°C)	80 Max (rated current, 2 phase on)	Rated Current (A)	2.0
Ambient temperature (°C)	-20~+50	Resistance Per Phase(±10%Ω)	1.65 (25°C)
Number of Phase	2	Inductance Per Phase (±20% $\mu$ H)	2.2
Insulation Resistance (MΩ)	100 Min (500VDC)	Holding Torque (Kg.cm)	7.2
Insulation Class	Class B	Detent Torque (Kg.cm)	0.36
Max.radial force (N)	75 (20mm from the flange)	Rotor Inertia (g.cm <sup>2</sup> )	275
Max.axial force (N)	15	Weight (Kg)	0.61

## ● Pull out torque curve:

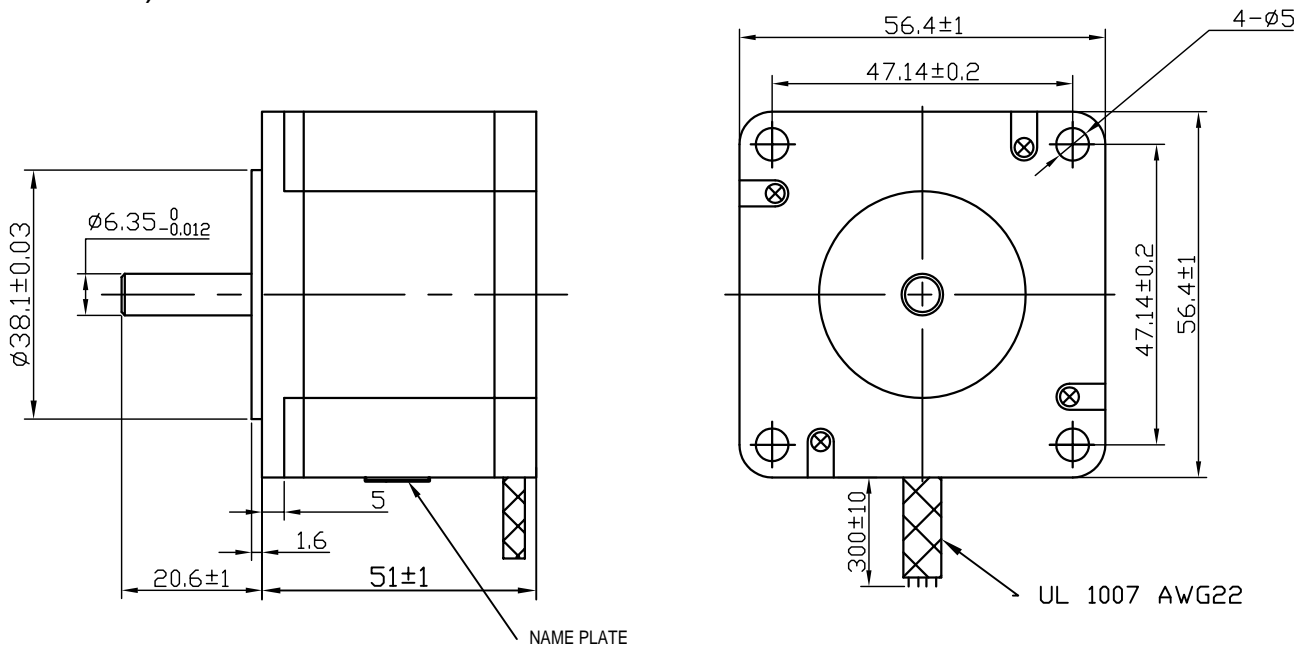
VOLTAGE: 30VDC, CONSTANT CURRENT: 2.0A, HALF STEP



## ● Wiring Diagram:



## ● Dimensions: (unit=mm)



△						SY57STH51-2006A	TECHNICAL CONDITIONS
△							
REV	REVISIONS	DESCRIPTION	BY	DATE		CHANGZHOU SONGYANG MACHINERY & ELECTRONICS NEW TECHNIC INSTITUTE	
DRAW	王凯						
CHECK							
APPROVE							