

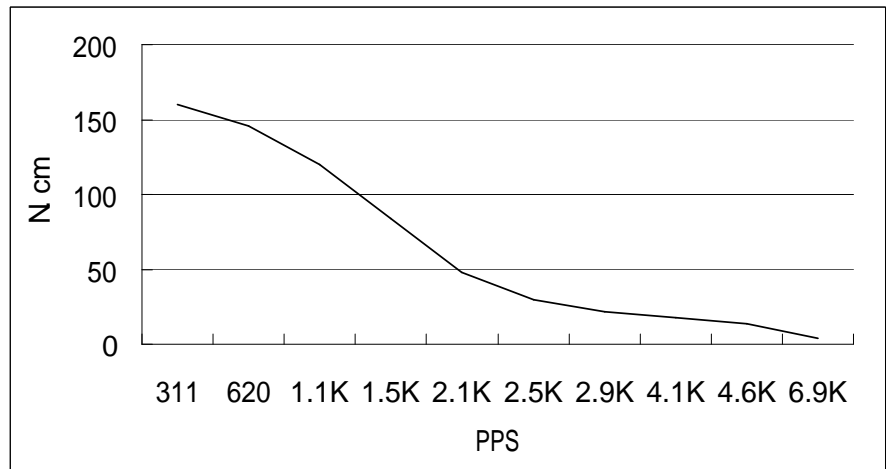
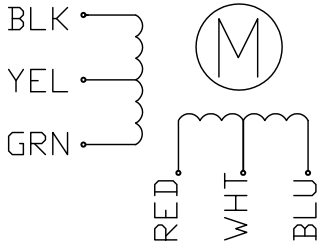
HIGH TORQUE HYBRID STEPPING MOTOR SPECIFICATIONS

| General specifications | | Electrical specifications | |
|----------------------------|------------------------------------|------------------------------------|-------------|
| Step Angle (°) | 1.8 | Rated Voltage (V) | 4.5 |
| Temperature Rise (°C) | 80 Max (rated current, 2 phase on) | Rated Current (A) | 2.0 |
| Ambient temperature (°C) | -20~+50 | Resistance Per Phase (±0%Ω) | 2.25 (25°C) |
| Number of Phase | 2 | Inductance Per Phase (±20% mH) | 3.6 |
| Insulation Resistance (MΩ) | 100 Min (500VDC) | Holding Torque (Kg.cm) | 13.5 |
| Insulation Class | Class B | Detent Torque (Kg.cm) | 0.68 |
| Max.radial force (N) | 75 (20mm from the flange) | Rotor Inertia (g.cm ²) | 480 |
| Max.axial force (N) | 15 | Weight (Kg) | 1.03 |

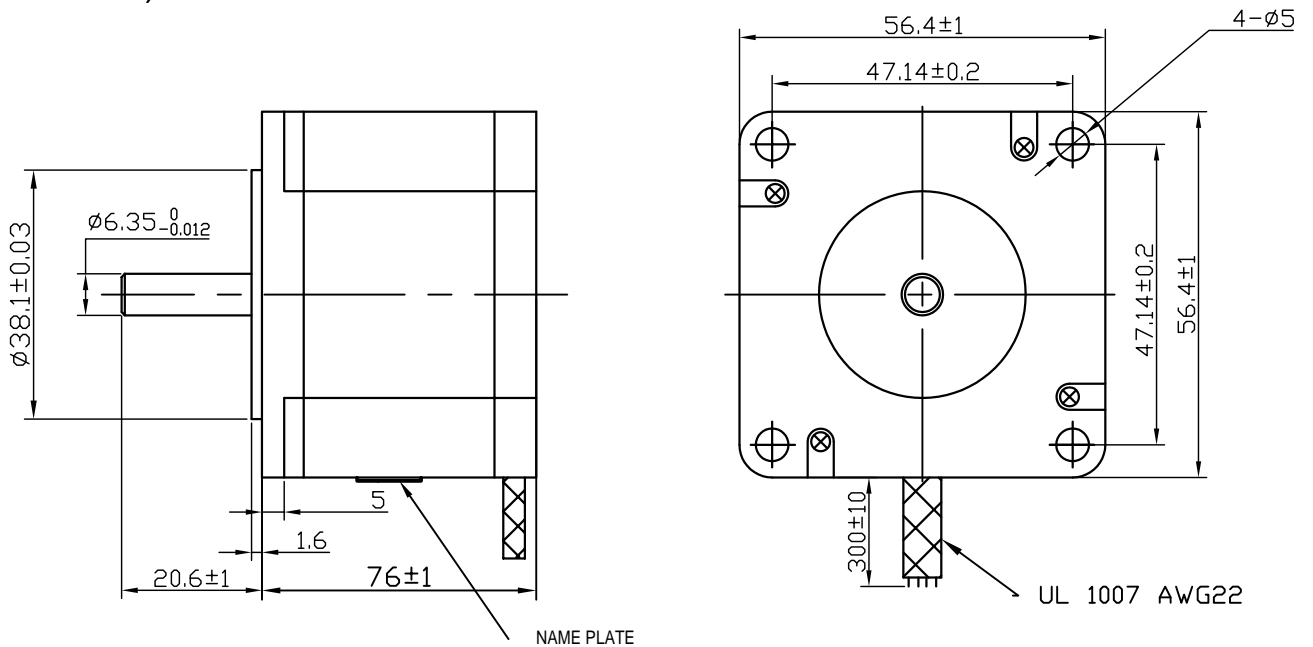
● Pull out torque curve:

VOLTAGE: 30VDC, CONSTANT CURRENT: 2.0A, HALF STEP

● Wiring Diagram:



● Dimensions:
(unit=mm)



| | | | | | | |
|---------|-----------|-------------|----|------|---------------------------------------------------------------------|----------------------|
| △ | | | | | SY57STH76-2006A | TECHNICAL CONDITIONS |
| △ | | | | | | |
| REV | REVISIONS | DESCRIPTION | BY | DATE | CHANGZHOU SONGYANG MACHINERY & ELECTRONICS NEW TECHNIC INSTITUTE | |
| DRAW | 王凯 | | | | | |
| CHECK | | | | | | |
| APPROVE | | | | | | |