

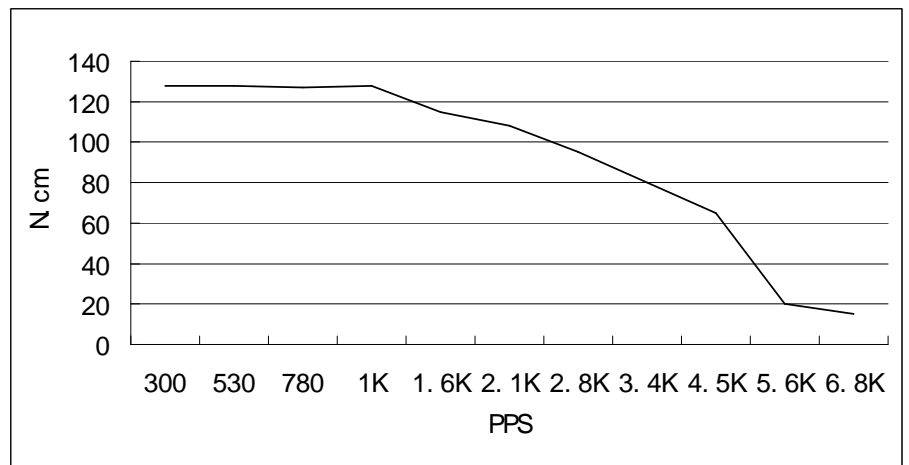
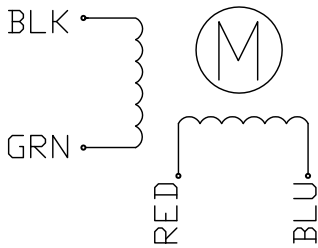
# HIGH TORQUE HYBRID STEPPING MOTOR SPECIFICATIONS

General specifications		Electrical specifications	
Step Angle (°)	1.8	Rated Voltage (V)	3.2
Temperature Rise (°C)	80 Max (rated current, 2 phase on)	Rated Current (A)	2.8
Ambient temperature (°C)	-20~+50	Resistance Per Phase(±0%Ω)	1.13 (25°C)
Number of Phase	2	Inductance Per Phase (±20% $mH$ )	3.6
Insulation Resistance ( $M\Omega$ )	100 Min (500VDC)	Holding Torque (Kg.cm)	18.9
Insulation Class	Class B	Detent Torque (Kg.cm)	0.68
Max.radial force (N)	75 (20mm from the flange)	Rotor Inertia (g.cm <sup>2</sup> )	480
Max.axial force (N)	15	Weight (Kg)	1.03

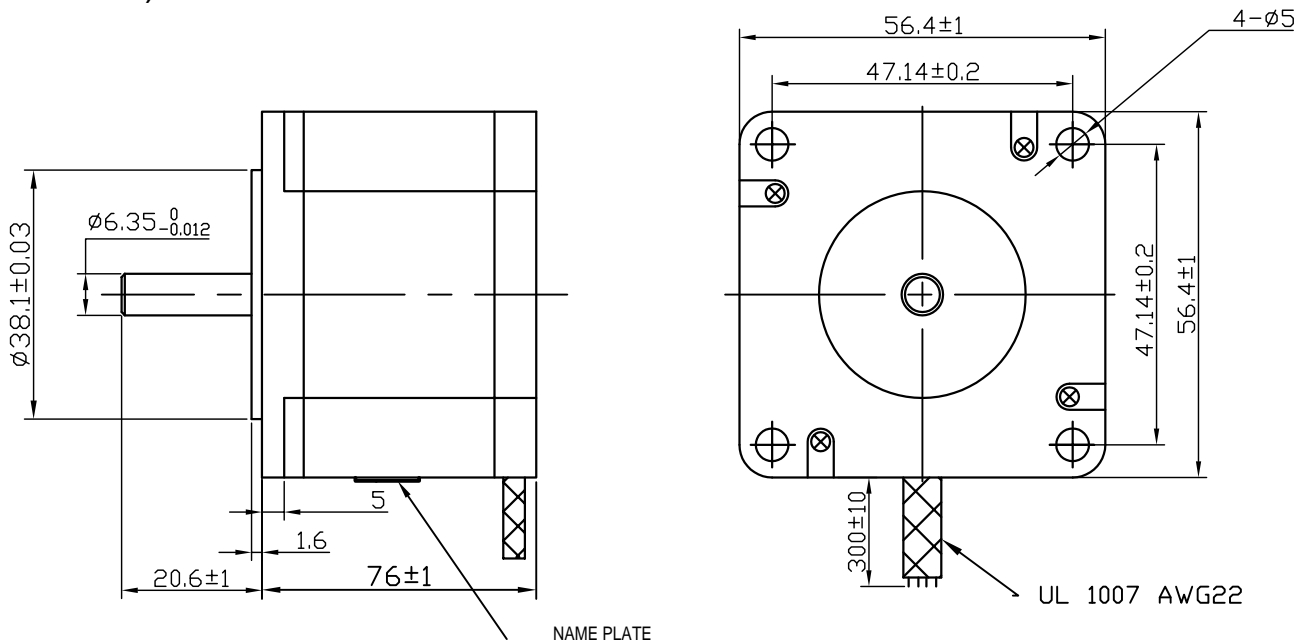
● Pull out torque curve:

VOLTAGE: 30VDC, CONSTANT CURRENT: 2.8A, HALF STEP

● Wiring Diagram:



● Dimensions:  
(unit=mm)



△						SY57STH76-2804A	TECHNICAL CONDITIONS
△							
REV	REVISIONS	DESCRIPTION	BY	DATE			
DRAW	王凱之-2008.05.27						
CHECK						CHANGZHOU SONGYANG MACHINERY & ELECTRONICS	
APPROVE						NEW TECHNIC INSTITUTE	