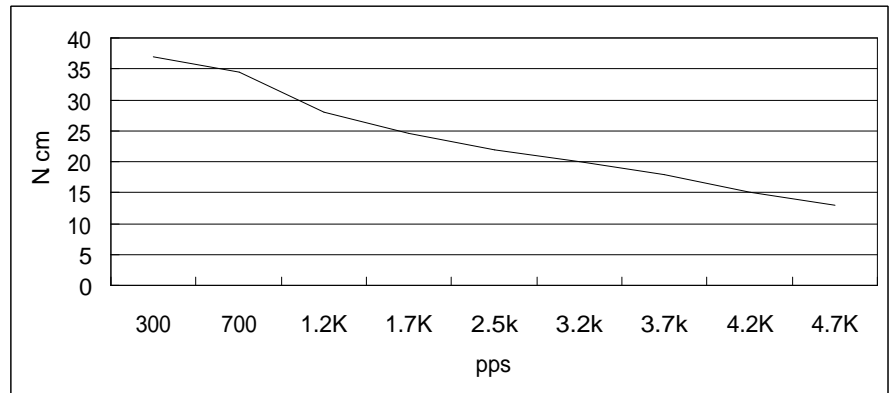


HIGH TORQUE HYBRID STEPPING MOTOR SPECIFICATIONS

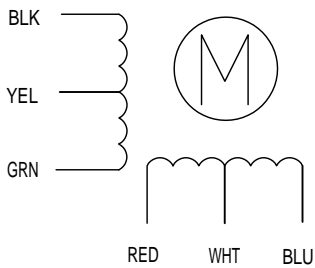
General specifications		Electrical specifications	
Step Angle (°)	1.8	Rated Voltage (V)	6
Temperature Rise (°C)	80 Max (rated current, 2 phase on)	Rated Current (A)	0.85
Ambient temperature (°C)	-20~+50	Resistance Per Phase ($\pm 10\%$)	7.1 (25°C)
Number of Phase	2	Inductance Per Phase ($\pm 20\%$ mH)	9
Insulation Resistance	100M Ω , Min (500VDC)	Holding Torque (Kg.cm)	4.97
Insulation Class	Class B	Detent Torque (g.cm)	350
Max.radial force (N)	75 (20mm from the flange)	Rotor Inertia (g.cm ²)	110
Max.axial force (N)	15	Weight (Kg)	0.55

● Pull out torque curve:

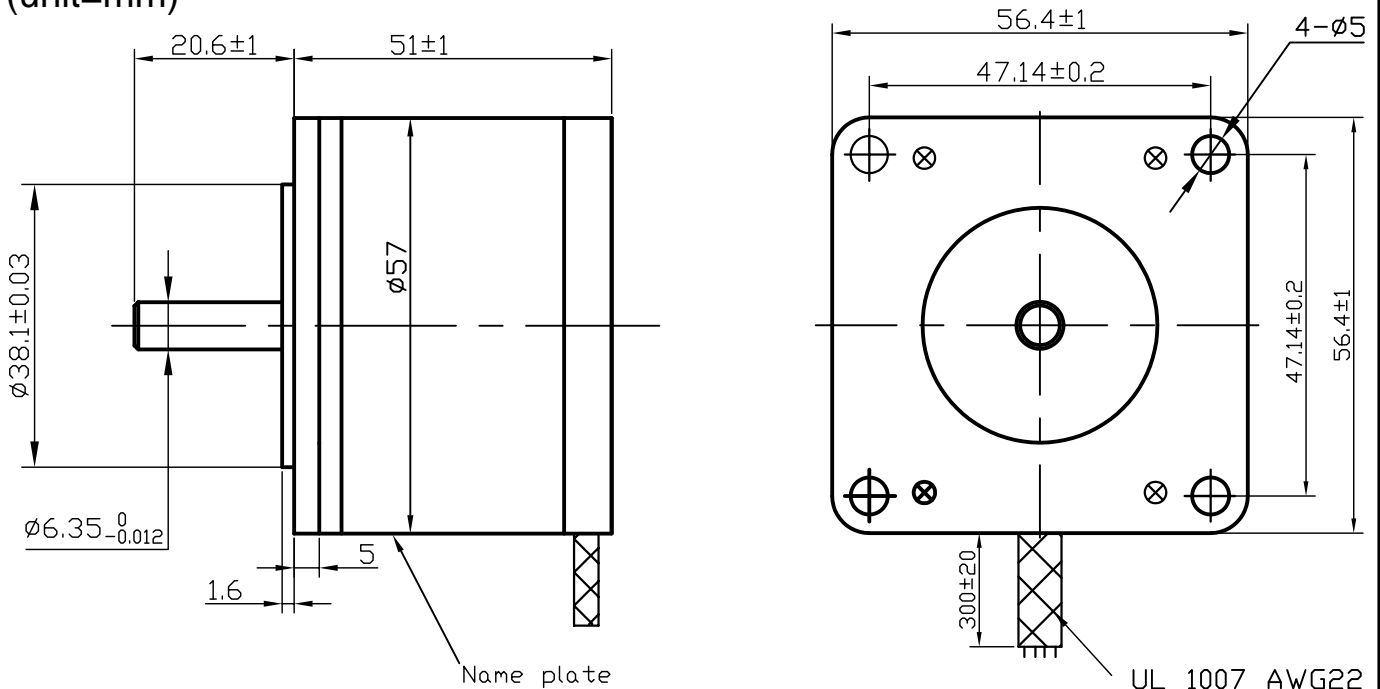
VOLTAGE: 30VDC, CONSTANT CURRENT: 0.85A, HALF STEP



● Wiring Diagram:



● Dimensions:
(unit=mm)



					<h2>SY57ST51-0856A</h2>	TECHNICAL CONDITIONS
REV	REVISIONS	DESCRIPTION	BY	DATE		
DRAW					CHANGZHOU SONGYANG MACHINERY & ELECTRONICS NEW TECHNIC INSTITUTE	
CHECK						
APPROVE						