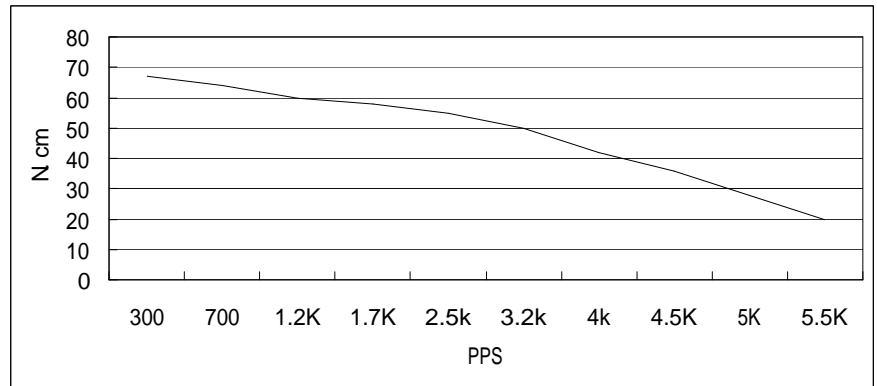


HIGH TORQUE HYBRID STEPPING MOTOR SPECIFICATIONS

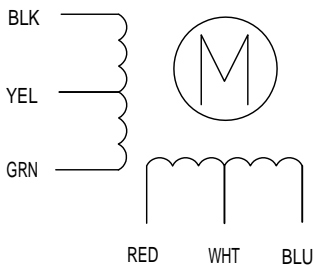
General specifications		Electrical specifications	
Step Angle (°)	1.8	Rated Voltage (V)	3.6
Temperature Rise (°C)	80 Max (rated current, 2 phase on)	Rated Current (A)	1.5
Ambient temperature (°C)	-20~+50	Resistance Per Phase ($\pm 10\%$)	2.4 (25°C)
Number of Phase	2	Inductance Per Phase ($\pm 20\%$ mH)	5
Insulation Resistance	100M Ω , Min (500VDC)	Holding Torque (Kg.cm)	9
Insulation Class	Class B	Detent Torque (g.cm)	720
Max.radial force (N)	75 (20mm from the flange)	Rotor Inertia (g.cm ²)	200
Max.axial force (N)	15	Weight (Kg)	0.96

● Pull out torque curve:

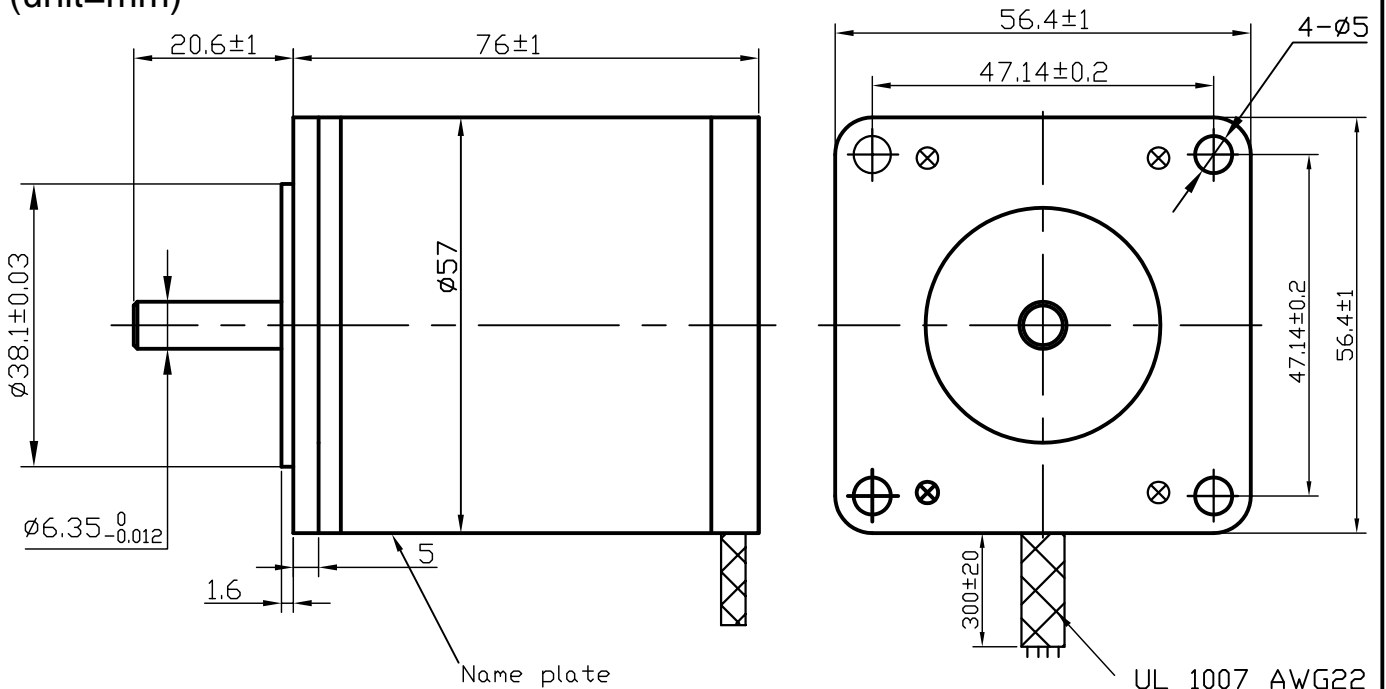
VOLTAGE: 30VDC, CONSTANT CURRENT: 1.5A, HALF STEP



● Wiring Diagram:



● Dimensions: (unit=mm)



△					SY57ST76-1506A	TECHNICAL CONDITIONS
△						
REV	REVISIONS	DESCRIPTION	BY	DATE	CHANGZHOU SONGYANG MACHINERY & ELECTRONICS NEW TECHNIC INSTITUTE	
DRAW						
CHECK						
APPROVE						