

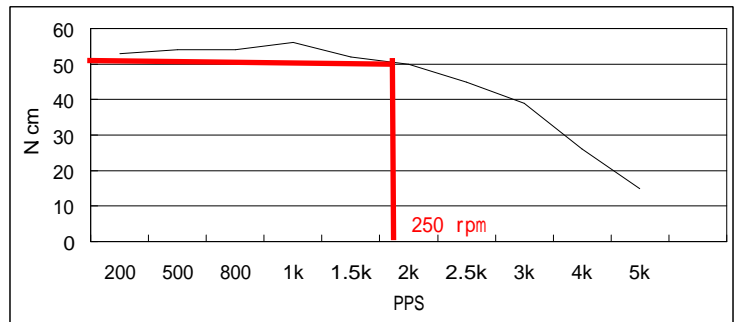
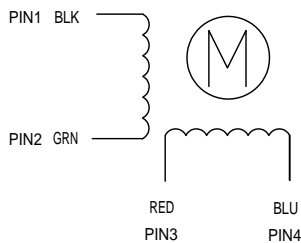
HIGH TORQUE HYBRID STEPPING MOTOR SPECIFICATIONS

General specifications		Electrical specifications	
Step Angle (°)	1.8	Rated Voltage (V)	5.4
Temperature Rise (°C)	80 Max (rated current, 2 phase on)	Rated Current (A)	1.8
Ambient temperature (°C)	-20~+50	Resistance Per Phase ($\pm 15\%$)	3 (25°C)
Number of Phase	2	Inductance Per Phase ($\pm 20\%$)	7
Insulation Resistance	100M Ω , Min (500VDC)	Holding Torque (Kg.cm)	7
Insulation Class	Class B		
Max.radial force (N)	28 (20mm from the flange)		
Max.axial force (N)	10		

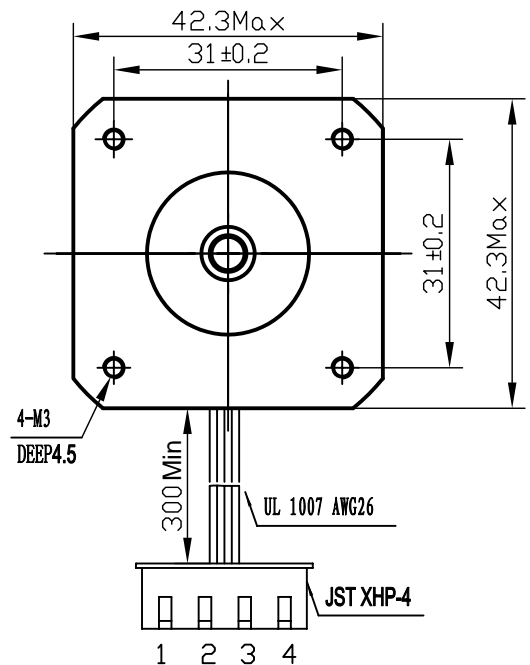
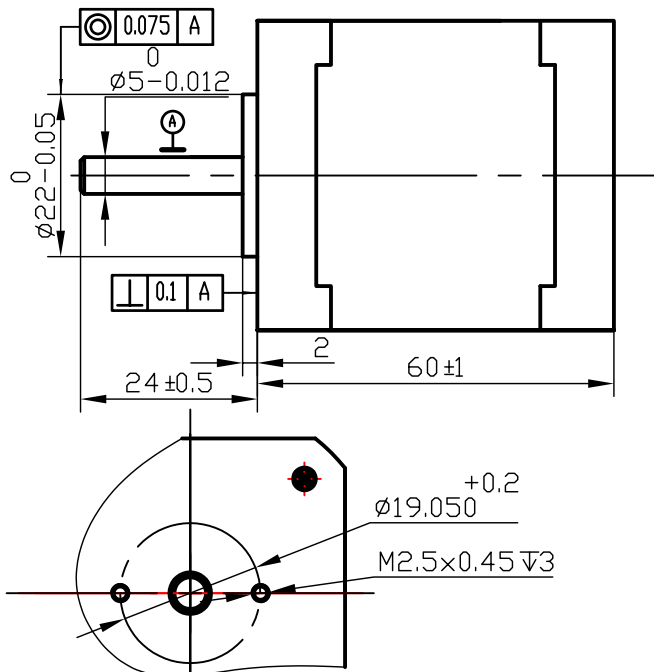
● Pull out torque curve:

VOLTAGE: 30VDC, CONSTANT CURRENT: 1.8A, HALF STEP

● Wiring Diagram:



● Dimensions: (unit=mm)



△					SY42STH60-1804A	TECHNICAL CONDITIONS
△						
REV	REVISIONS	DESCRIPTION	BY	DATE	CHANGZHOU SONGYANG MACHINERY & ELECTRONICS NEW TECHNIC INSTITUTE	060060003
DRAW	孔祥振	2010.11.29				
CHECK						
APPROVE						

This document was created with Win2PDF available at <http://www.daneprairie.com>.
The unregistered version of Win2PDF is for evaluation or non-commercial use only.